

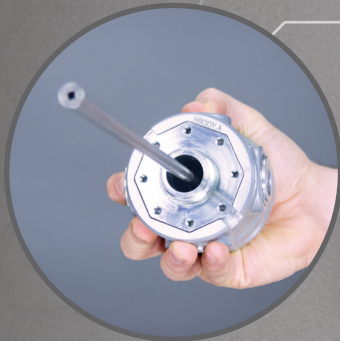
# The Hub

Patent Pending Design



## Lateral Ports

(4) threaded lateral ports providing versatility for machine condition monitoring attachments like BS&W bowls and quick connects for filter carts.



## Pilot Tube

Large diameter 12-inch pilot tube for high viscosity sampling.



## Recessed Oil Sampling Port

Sample port is recessed into the Hub body, preventing inadvertent impacts. High-flow design for extracting high viscosity oils, even at low pressures.



## Easy Install

Intuitive two piece design which allows for quick installation and enables easy 45-degree orientation adjustments.

## The Hub of Lubricant Monitoring.

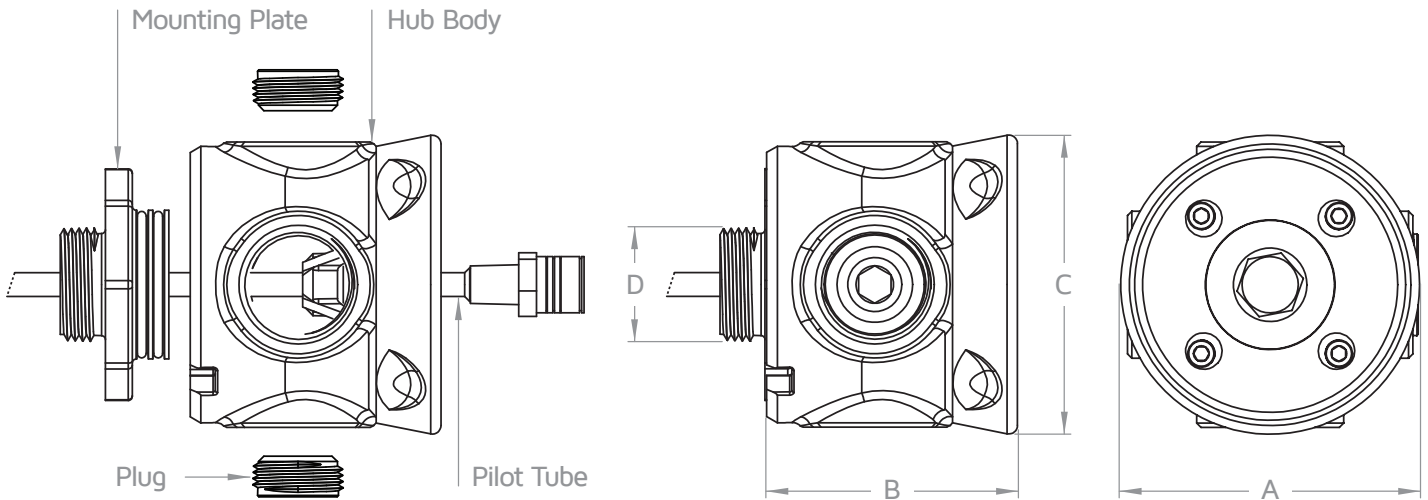
The Hub delivers more port versatility than anything else on the market. Having four lateral ports allows you to install BS&W Bowls, sample valves, drain valves, sight glasses, filter cart, etc. All at the same time. And with a high flow sample port, the Hub can tackle any sampling needs you have.



Designed for:  
 Gearboxes  
 Hydraulic Reservoirs  
 Tote Containers  
 Industrial Equipment

# The Hub

Patent Pending Design



A - Width | B - Length | C - Diameter | D - Port Size

## Specifications

- **Shipping Weight:** 3.5 lbs. (for qty. 1)
- **Recommended Temperature Range:** Range is -13°F to +400°F
- **Recommended PSI:** 500 psi working and 125 psi for sampling
- **Body Material:** Heavy-duty powder-coated cast aluminum and zinc plated steel
- **Pilot Tube:** 1/4" Stainless steel, 12" long
- **Sample Port:** High flow, easy access with shielded design
- **Easy Install:** Hub Body is easily attached with supplied bolts and can be adjusted every 45-degrees to achieve optimal orientation
- **Lateral Ports:** (2) 1" NPT and (2) 3/4" NPT, Includes (4) low profile plugs for sealing lateral ports when not in use and installation hex key is included

Description	Part Number	A	B	C	D
3/4" NPT	HUB.075NPT	3.5	2.9	3.5	.75
1" NPT	HUB.100NPT	3.5	2.9	3.5	1.0
1 1/4" NPT	HUB.125NPT	3.5	2.9	3.5	1.25
1 1/2" NPT	HUB.150NPT	3.5	2.9	3.5	1.5
3/4" BSPP	HUB.075BSPP	3.5	2.9	3.5	.75
1" BSPP	HUB.100BSPP	3.5	2.9	3.5	1.0